



Gregory Works

Ergonomic Laboratory
Drafting Stool

Experience unparalleled comfort and durability with our Ergonomic Laboratory Drafting Chair, meticulously designed to meet the rigorous demands of laboratory environments. Our Ergonomic Laboratory Drafting Chair strikes the perfect balance between durability, comfort, and adjustability, designed to withstand the demanding conditions of any laboratory.

Gregory Works Ergonomic Laboratory Drafting Stool

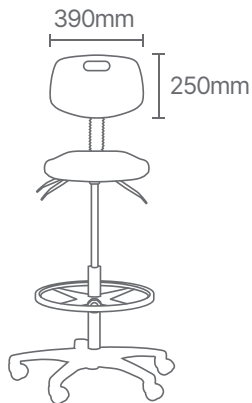
Designed for the Rigors of Lab Work



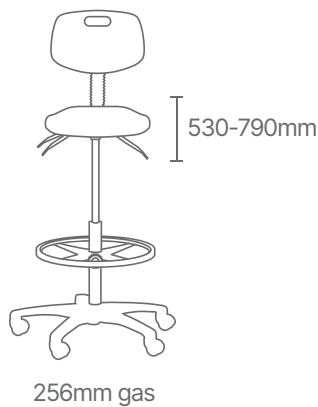
Crafted from chemically resistant polyurethane foam, this stool's seat and back are designed for durability, even in the most challenging environments. The non-slip design ensures excellent grip and stability, allowing you to work confidently throughout the day. The height-adjustable backrest provides personalised comfort and support, promoting good posture and reducing the risk of back pain.

Supported by a sturdy 5-star nylon base, this chair can accommodate up to 110kg. You can also choose from a variety of castor options to suit different flooring types, ensuring smooth and safe movement in your laboratory environment. With features like chemically resistant foam, a non-slip design, a height-adjustable backrest, and a sturdy base, along with a 5-year warranty, this stool is an ideal choice for your laboratory seating needs.

Back Size



Seat Height



Seat Size

