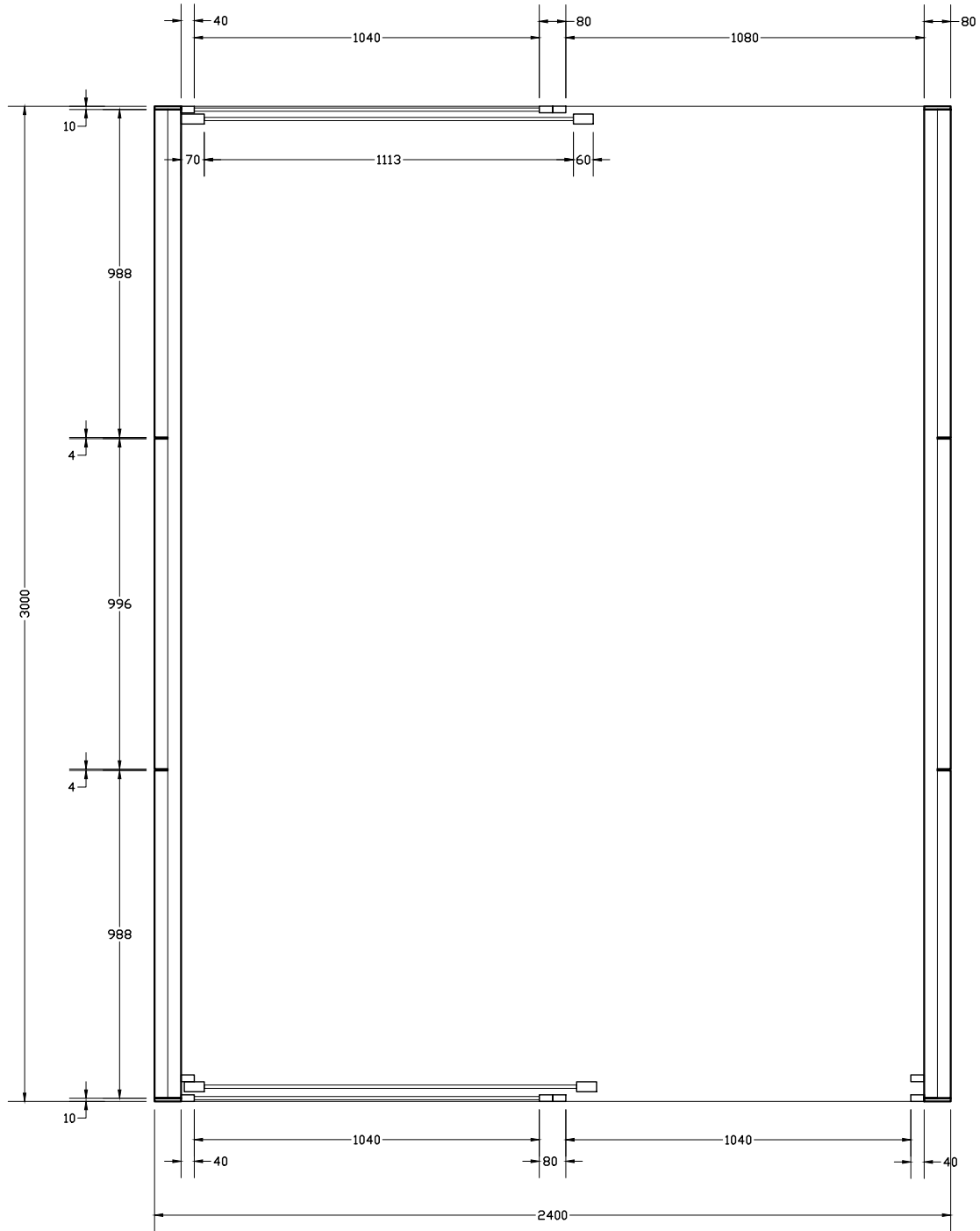
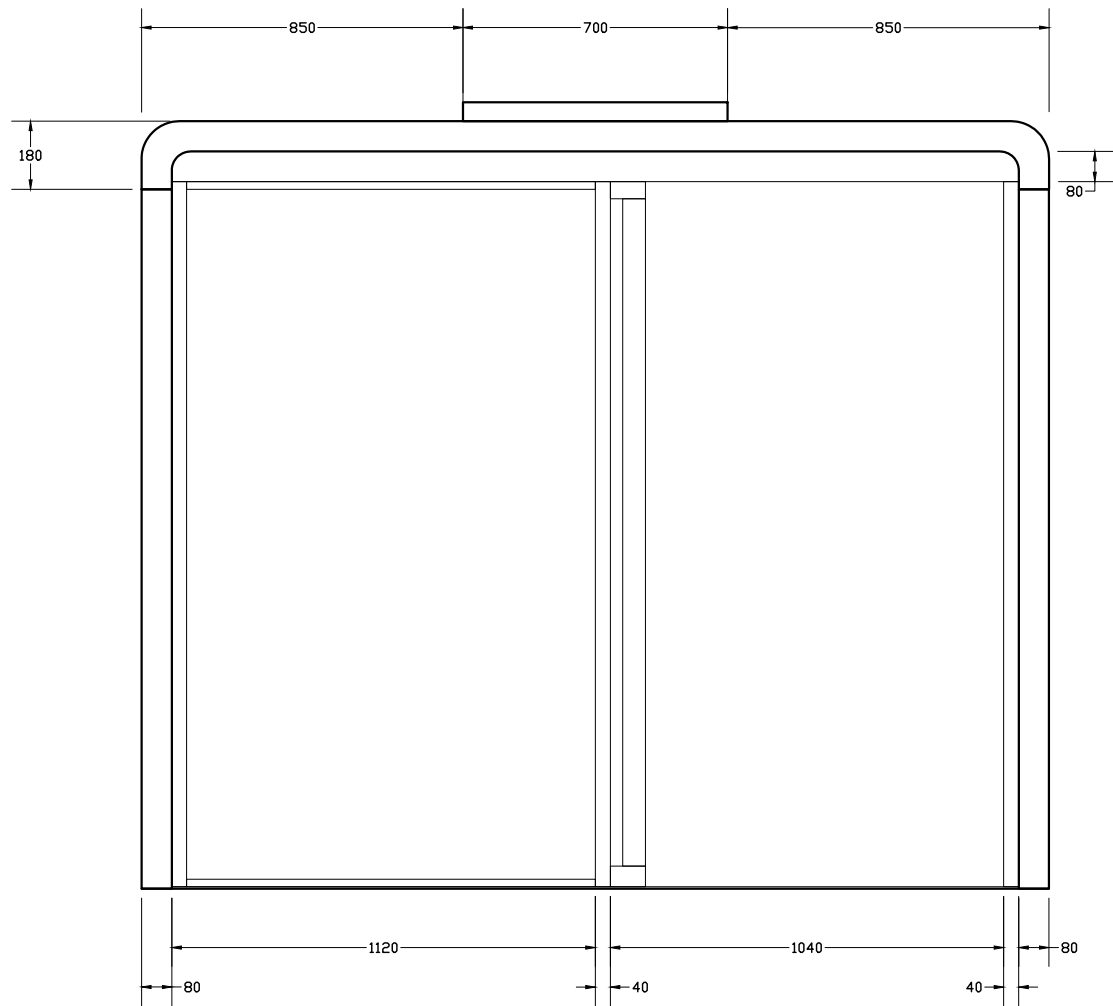


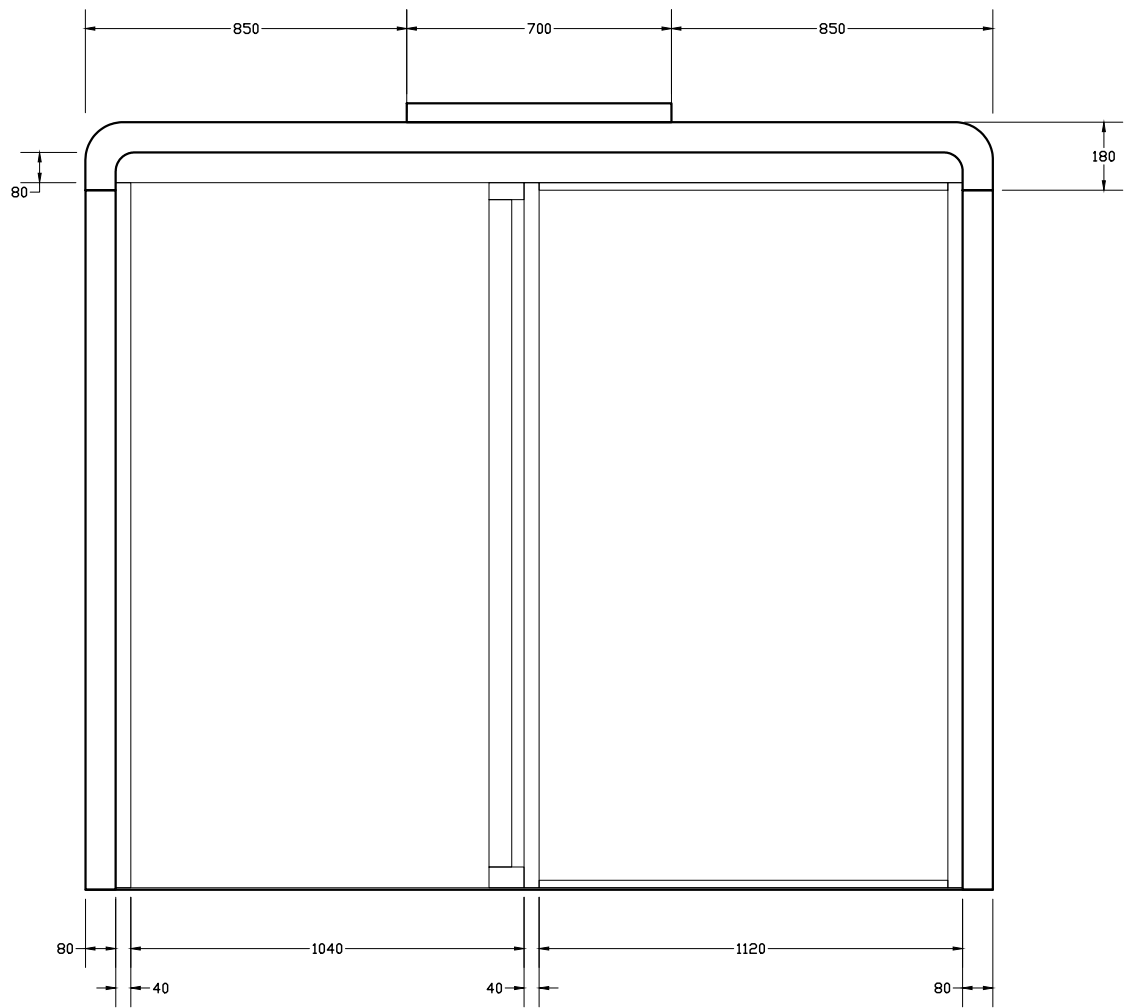
SIDE 1:20



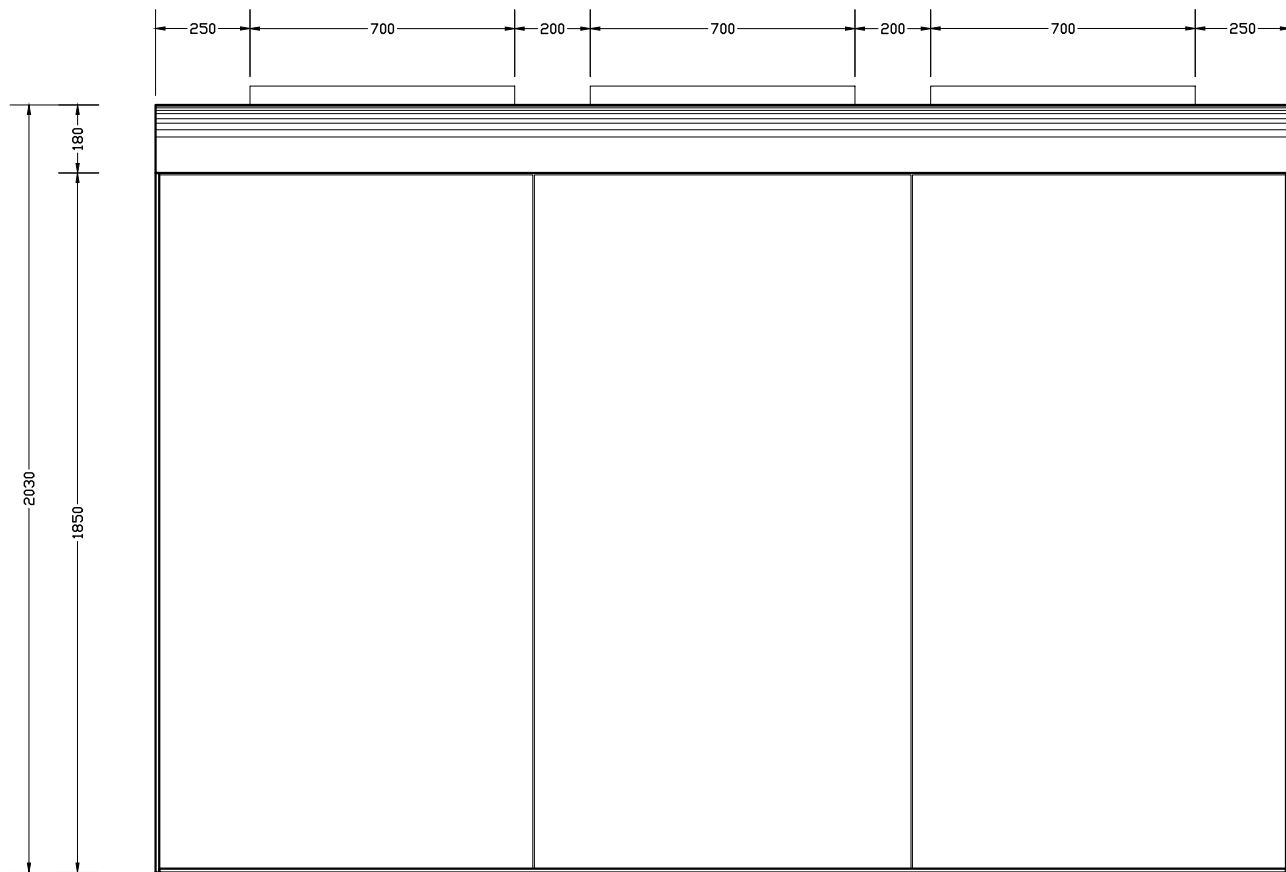
PLAN 1:20



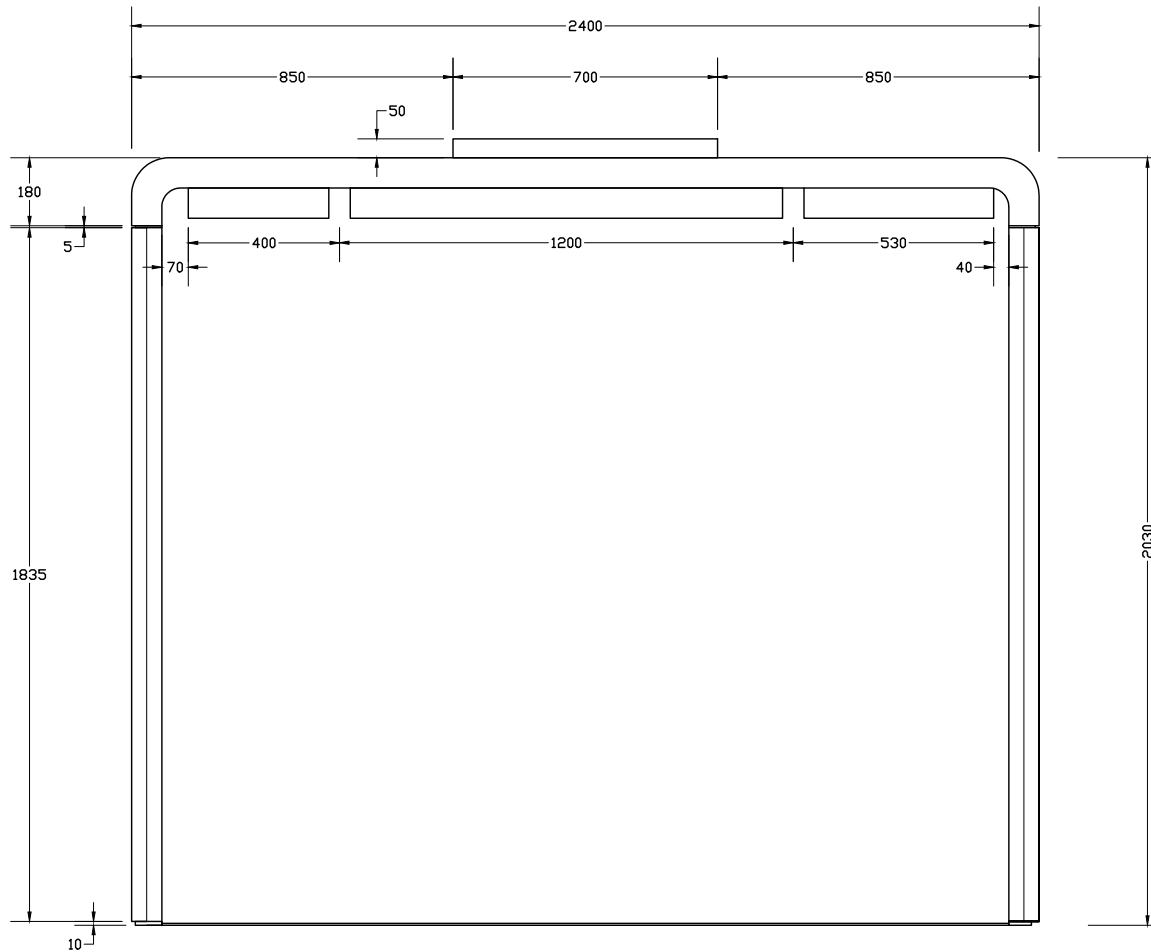
FRONT 1:20



BACK 1:20



SIDE 1:20



SECTION 1:20